

## 2ml Cryogenic Vials

### I. APPLICATIONS

1. Cell centrifugation
2. Reaction Tube
3. Sample storage
4. Centrifugation of precipitates

### II. TUBE FEATURES

1. Materials: Strong, medical-grade polypropylene
2. Chemically resistant to alcohols and mild organic solvents
3. Transparent wall permits easy viewing of tube contents
4. Working temperature: stable from -196°C to 121°C (Autoclavable, freeze proof and boil proof)
5. Sterile, RNase & DNase Free, Endotoxin Free

### III. TUBE DESIGN

1. Self-standing design
2. Available in 2.0ml volumes
3. Clearly visible with either clear or turbid samples
4. With graduations and writing area.
5. With interior screw thread type

### IV. CAP DESIGN

1. Clear Screw cap with silicone o-ring screwed on the tubes
2. 2ml Vials have six colors caps: White, Red, Green, Blue, Yellow, Purple.

### V. PACKAGING

1. Tubes screwed with Caps: 25 Tubes/Bag, 20 Bags/Box, 2 Boxes/Case

### VI. DESCRIPTION

Item	Volume	Color	Packaging	Sterile
88-3210	2ml	White	25 Tubes/Bag, 20 Bags/Box, 2 Boxes/Case	Yes
88-3211	2ml	Red	25 Tubes/Bag, 20 Bags/Box, 2 Boxes/Case	Yes
88-3212	2ml	Green	25 Tubes/Bag, 20 Bags/Box, 2 Boxes/Case	Yes
88-3213	2ml	Blue	25 Tubes/Bag, 20 Bags/Box, 2 Boxes/Case	Yes
88-3214	2ml	Yellow	25 Tubes/Bag, 20 Bags/Box, 2 Boxes/Case	Yes
88-3215	2ml	Purple	25 Tubes/Bag, 20 Bags/Box, 2 Boxes/Case	Yes

## VII. STERILITY

1. Yes

## VIII. CERTIFICATION

Biologix products are manufactured completely according to the TUV ISO 9001:2008 standard.

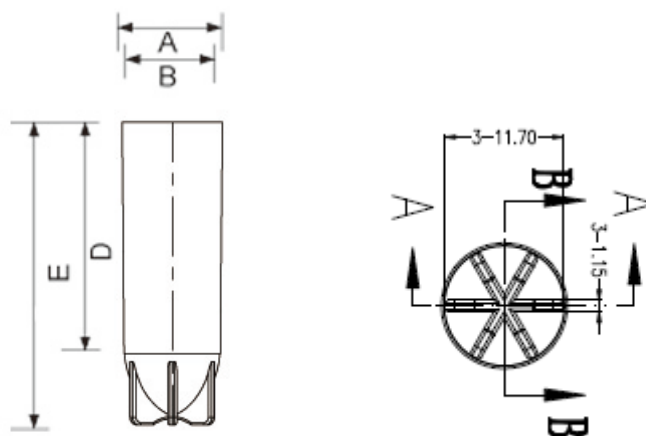
## IX. RESTRICTIONS

Refer to the Chemical Resistance Chart in our catalog, and available within our online catalog.

## X. PRODUCT PARAMETER

Dimensions=mm

Cat #	Description	A	B	C	D	E
88-321(x)	Cap	11.7	1.15	-	-	-
88-3210	Tube	O.D.12.5	O.D.10.5	-	28.8	37.7
88-3211	Tube	O.D.12.5	O.D.10.5	-	28.8	37.7
88-3212	Tube	O.D.12.5	O.D.10.5	-	28.8	37.7
88-3213	Tube	O.D.12.5	O.D.10.5	-	28.8	37.7
88-3214	Tube	O.D.12.5	O.D.10.5	-	28.8	37.7
88-3215	Tube	O.D.12.5	O.D.10.5	-	28.8	37.7



**88-321(x) 产品尺寸图**